

JeoSafety

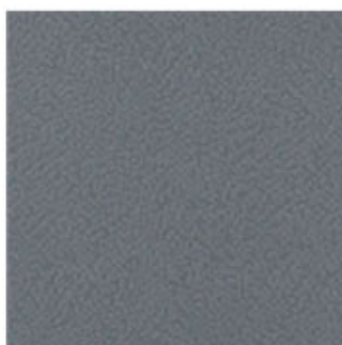


Jeoflor

ANTIQUÉ



Flat
028



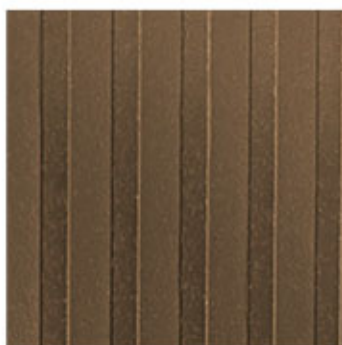
Merin
074



Comb
017



Sandy
069



Lane
076



Micro
036



Millenium
059



Stone
073



Drops
060



Coin
027

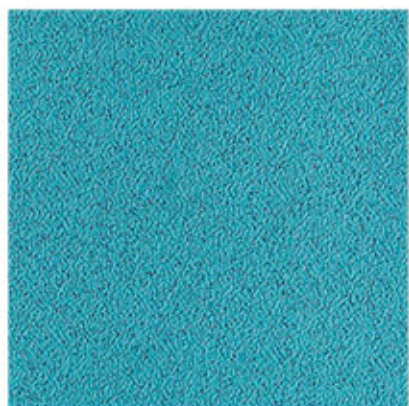


Laser
012



Siro
138

LUMINOUS



Turquoise
019



Pearl
066



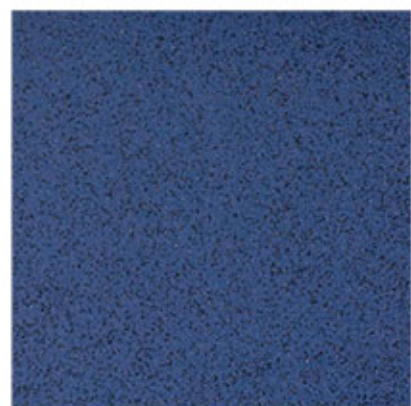
Ruby
056



Citrine
008



Hematite
007



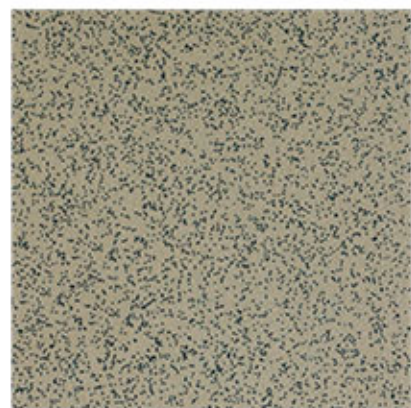
Sapphire
086



Brown Agate
067



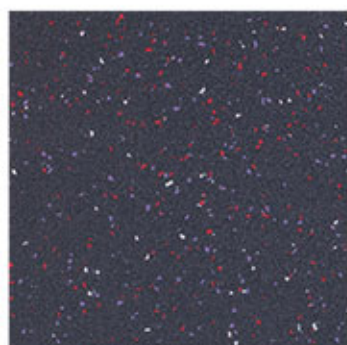
Silver
005



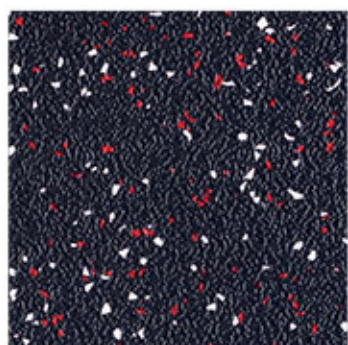
Moonstone
065

All colors and patterns can be applied.

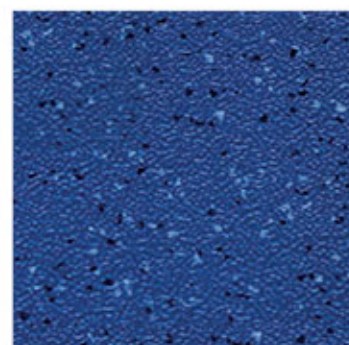
TESSERA



Myra
053



Cairo
022



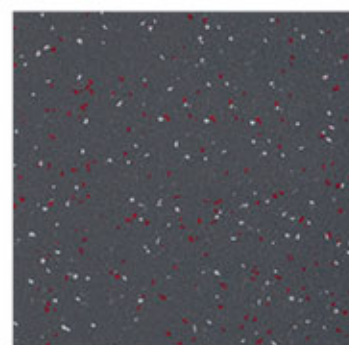
Rome
002



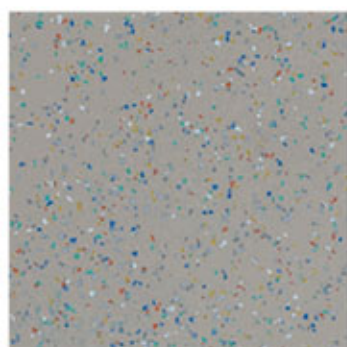
Berlin
093



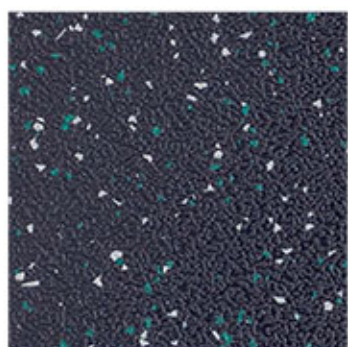
Angkor
090



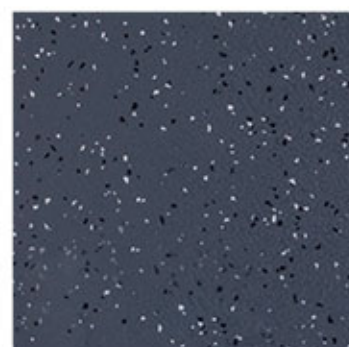
Petra
084



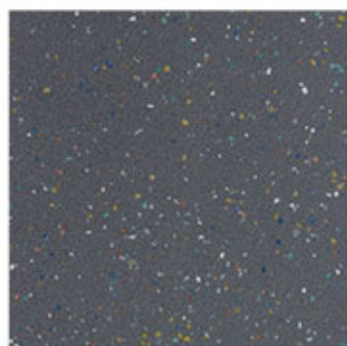
Varanasi
092



Lisbon
001



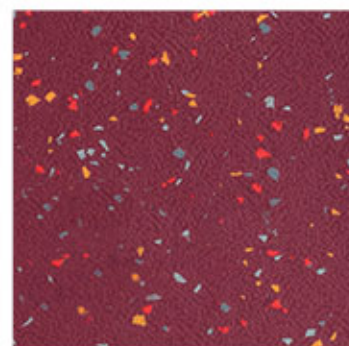
Xian
135



Cadiz
089



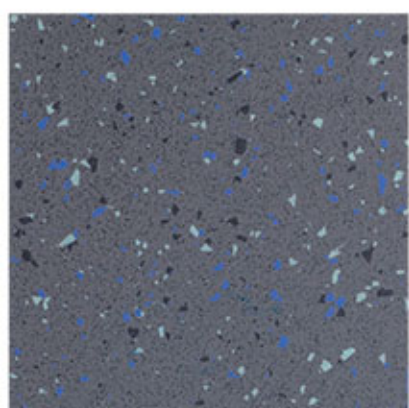
Acropolis
003



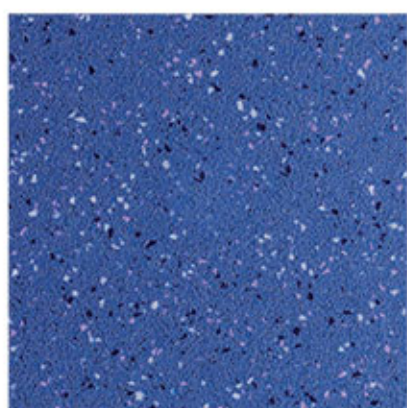
Persepolis
139

All colors and patterns can be applied.

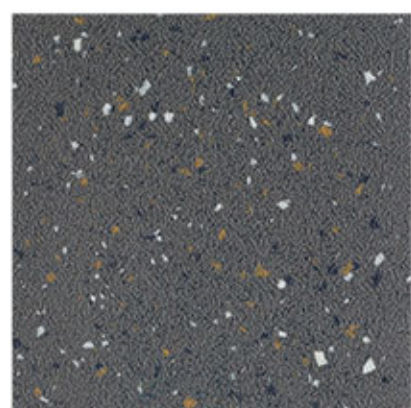
KALEIDOSCOPE



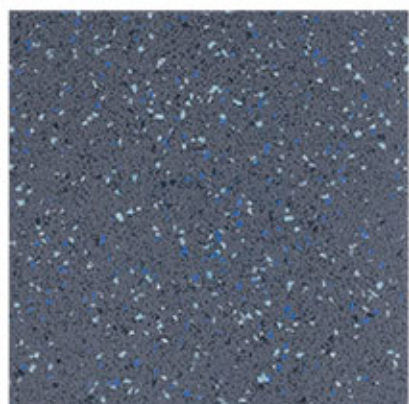
Delphinium
063



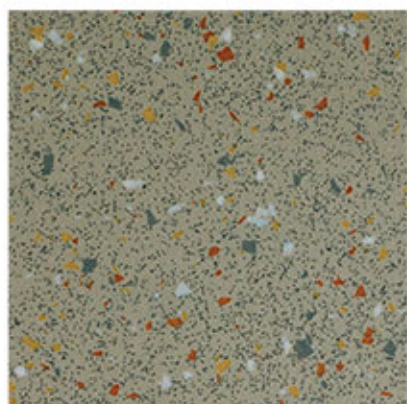
Iris
068



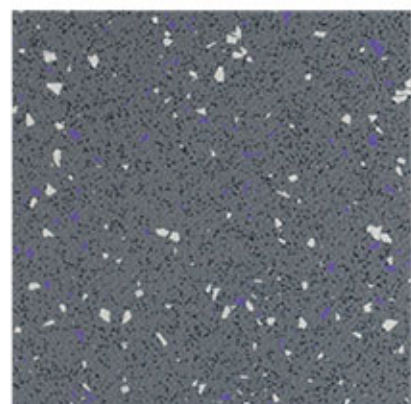
Sunflower
038



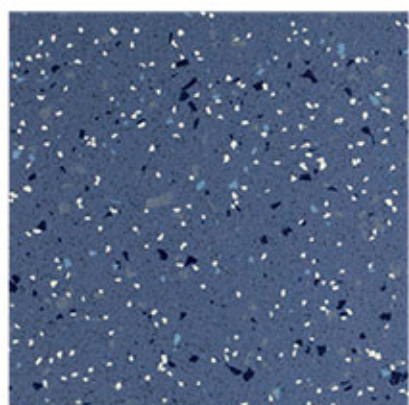
Daisy
072



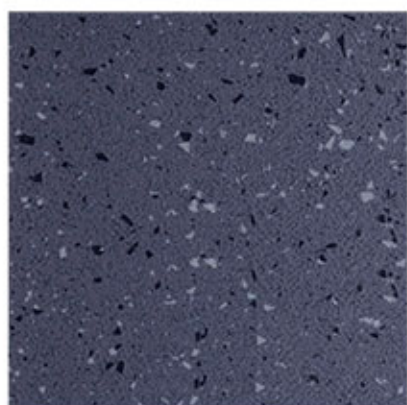
Jasmin
070



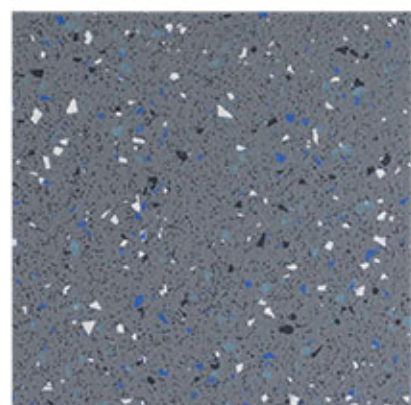
Cornflower
104



Hydrangea
098

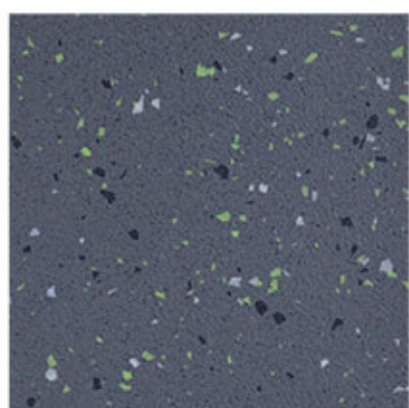


Black Rose
126

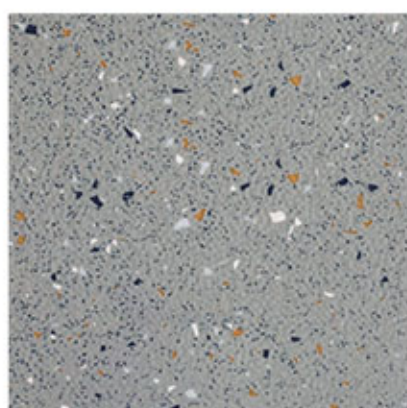


Orchid
122

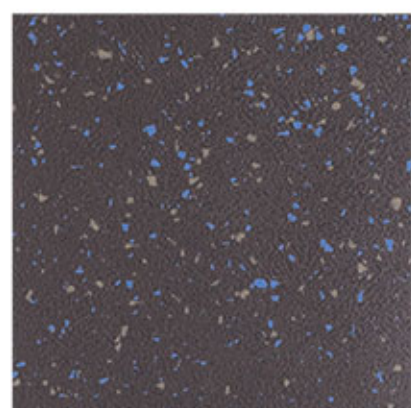
KALEIDOSCOPE



Lily
127



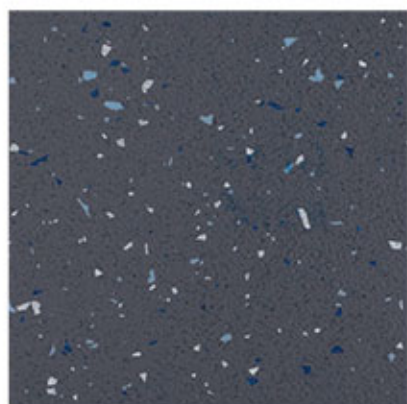
Gerbera
128



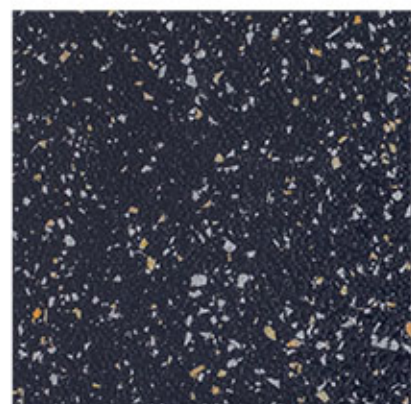
Dahlia
129



Tulip
130



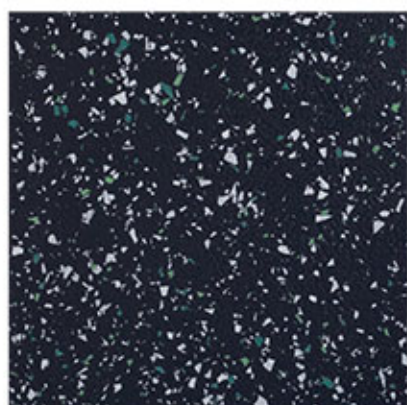
Freesia
131



Daffodil
140



Rose
141

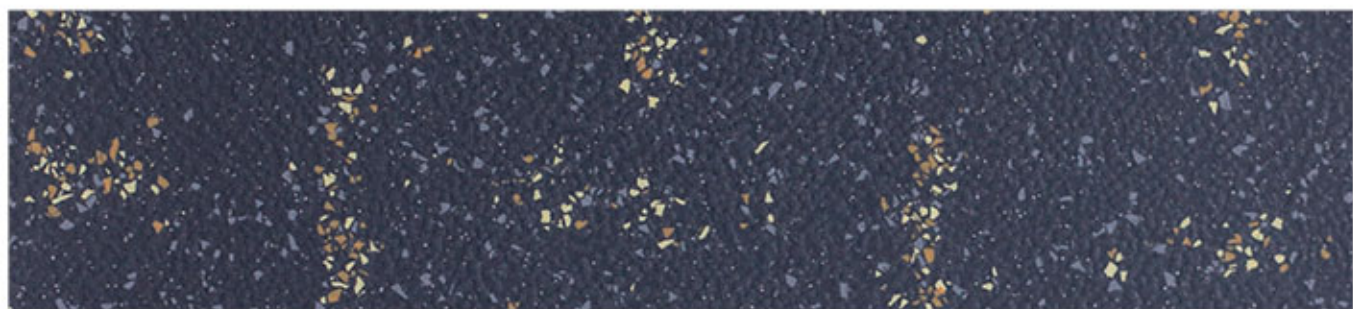


Cactus
142

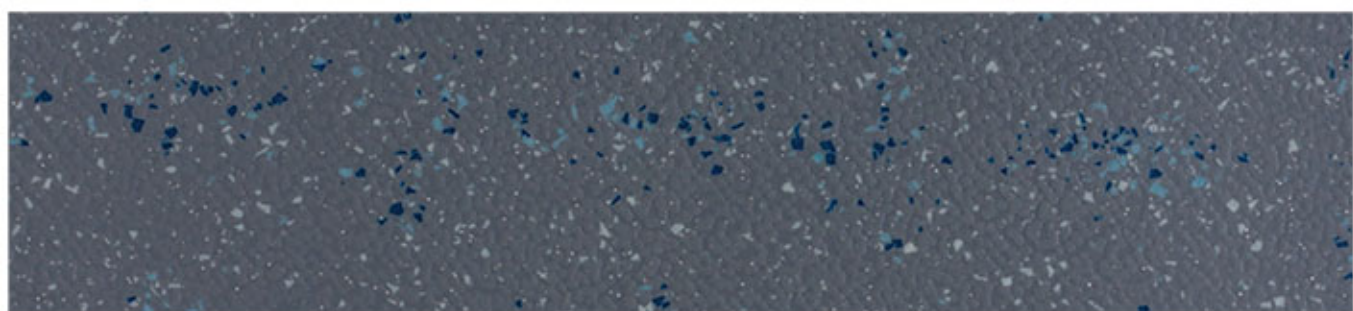


Anemon
143

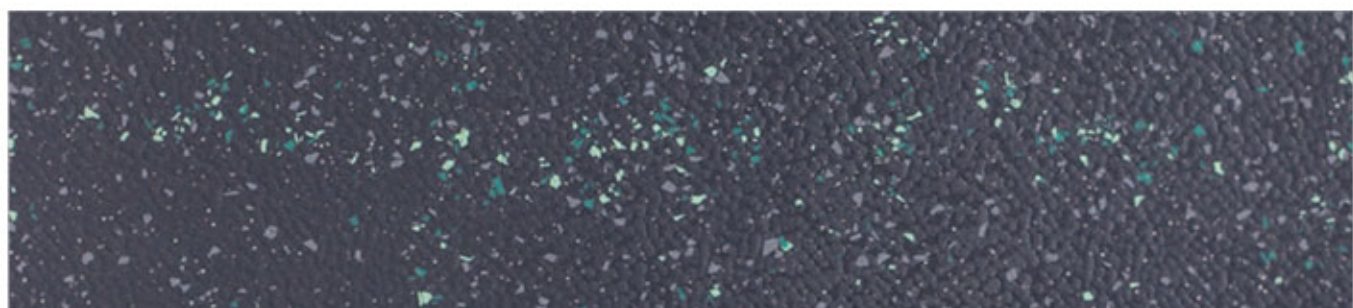
All colors and patterns can be applied.



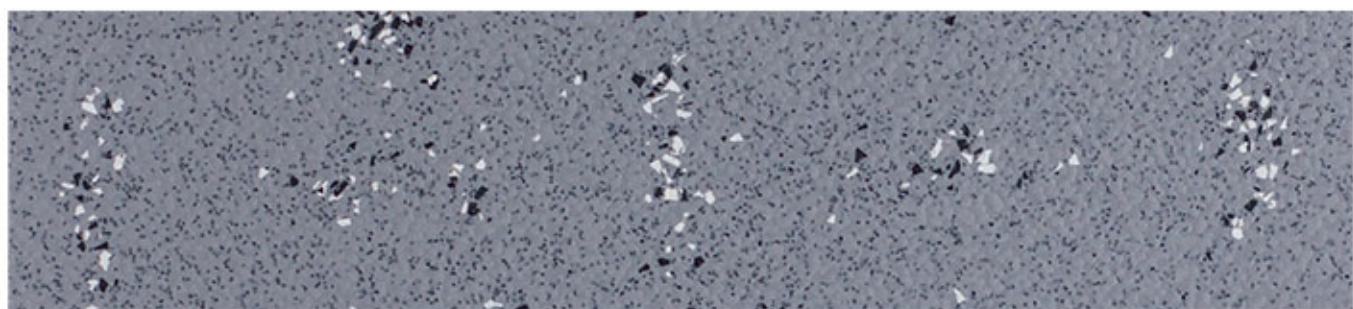
Arrow 111



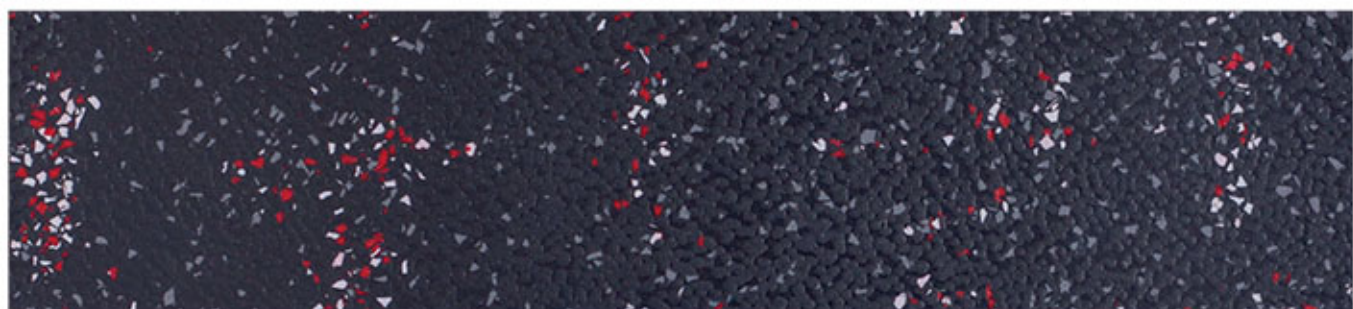
Block 112



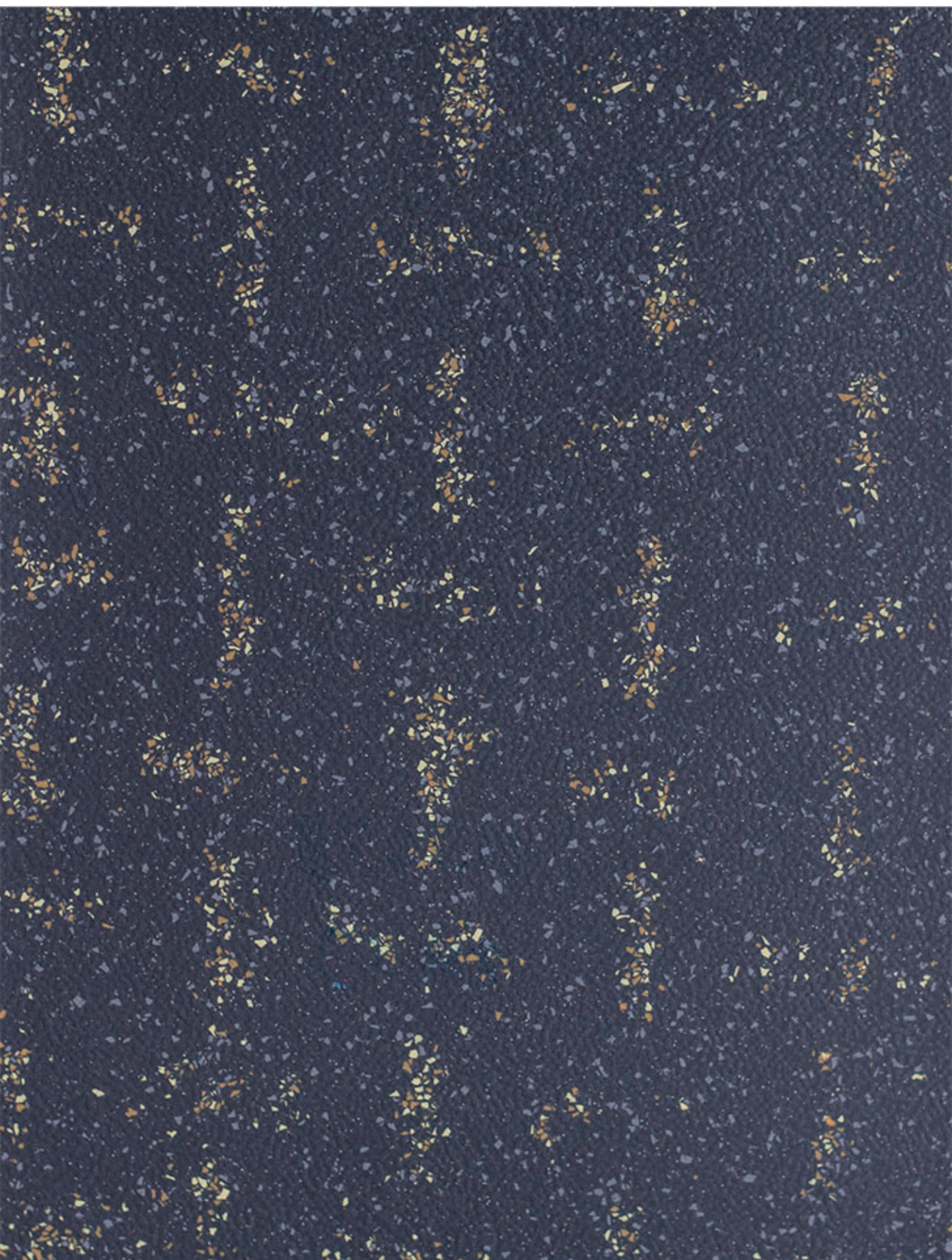
Logic 113

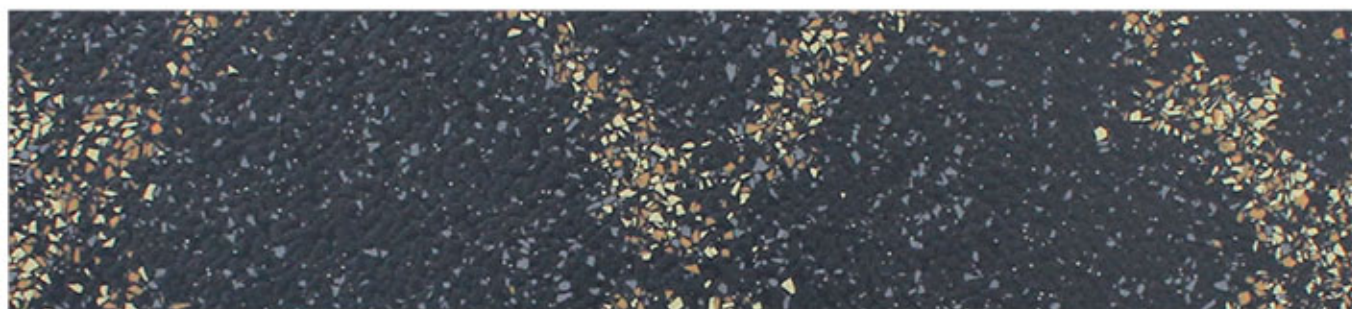


Weave 116

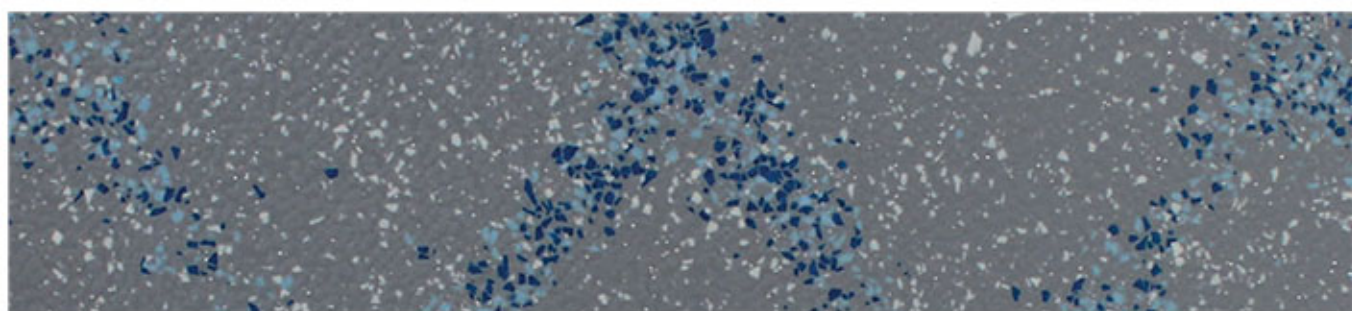


Number 120

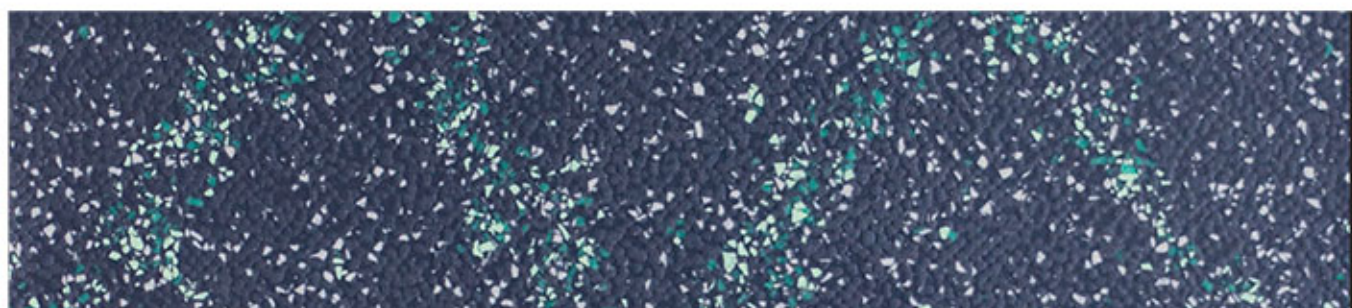




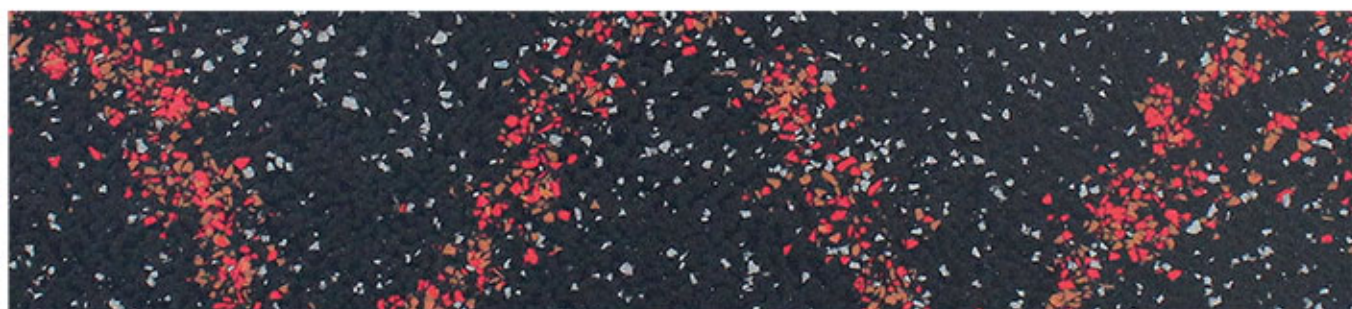
Checker 144



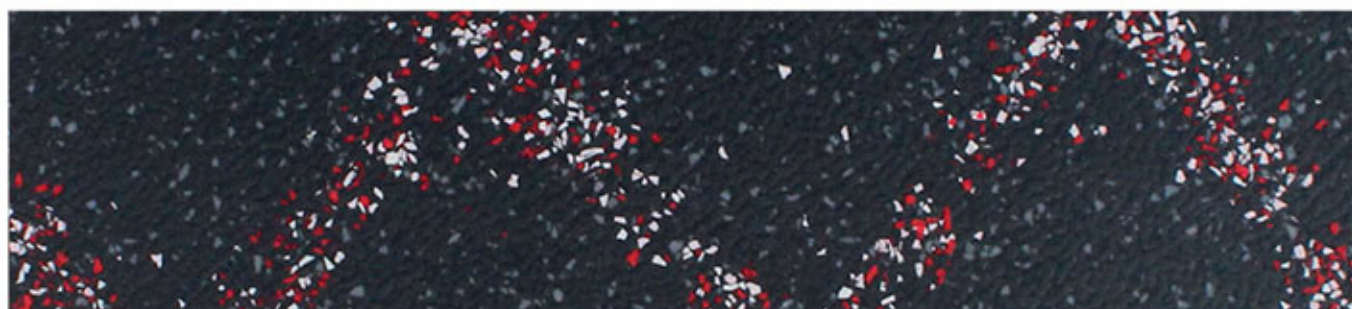
ikat 145



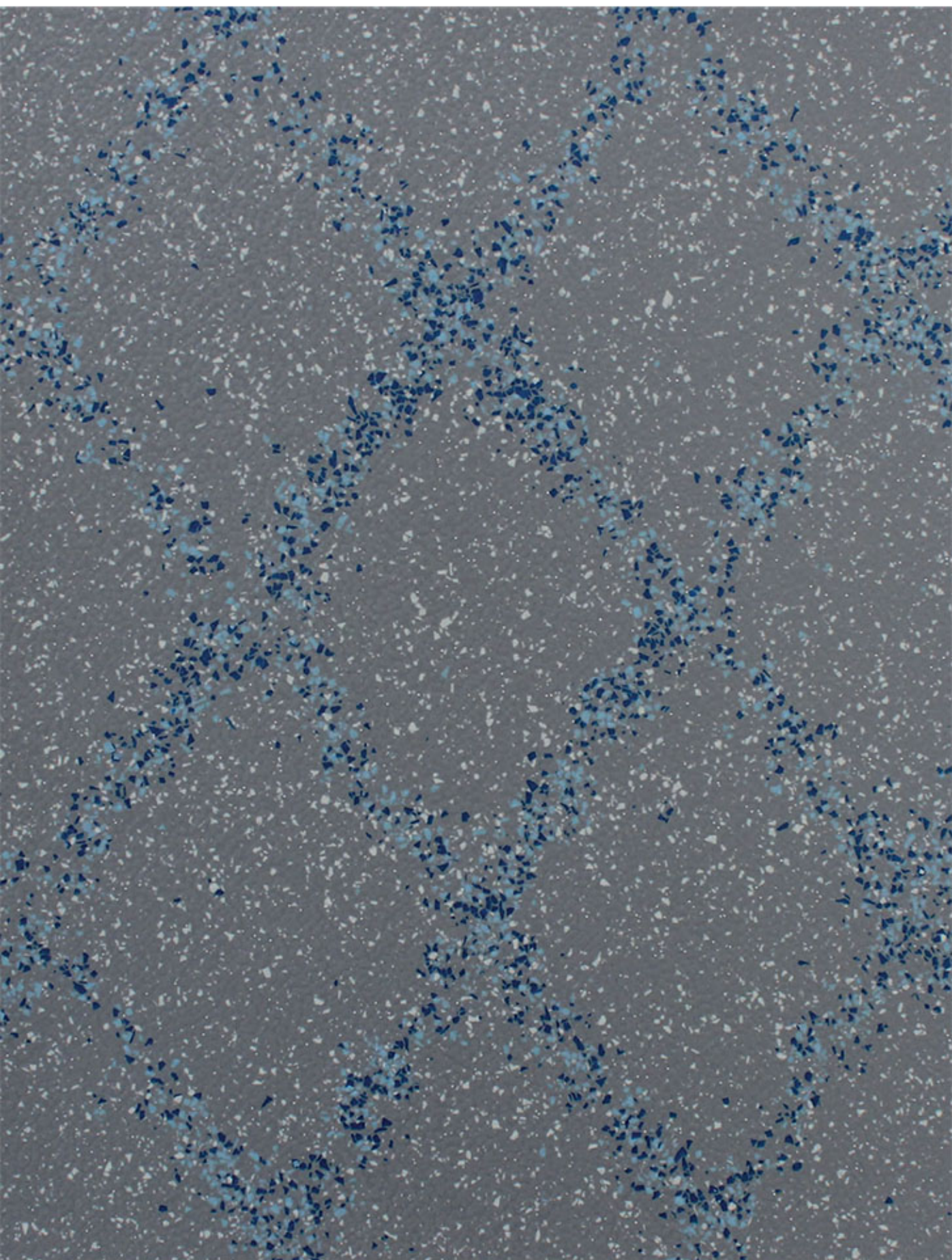
Argyle 146



Basketweave 147



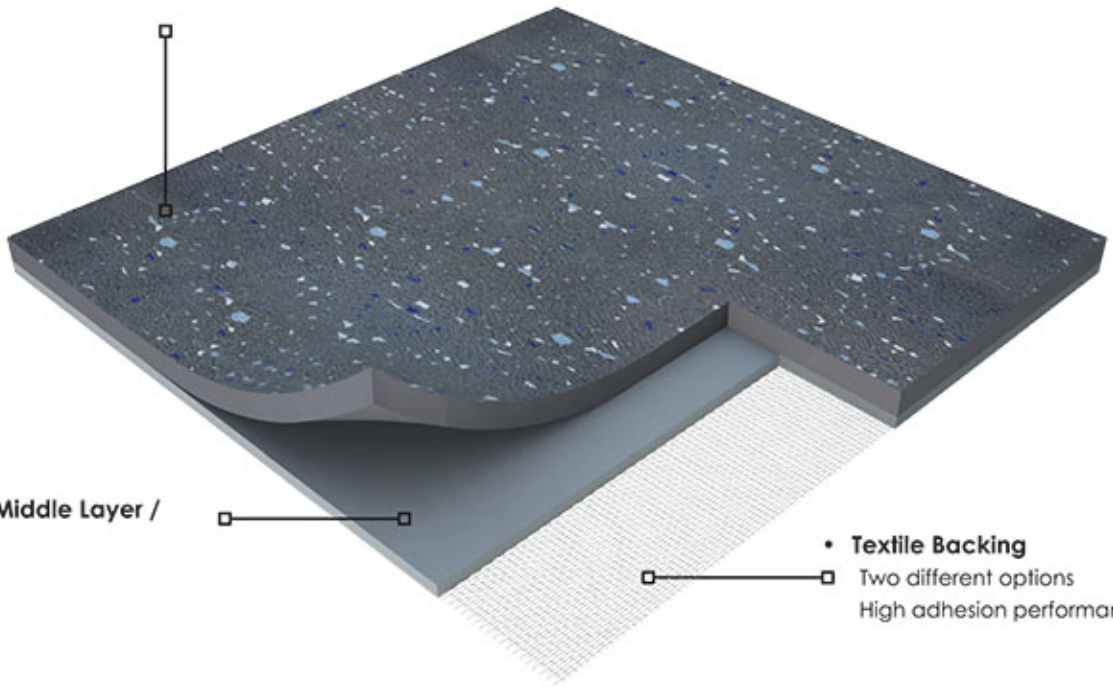
Gingham 148



PRODUCT CONSTRUCTION

- **Wear layer**

- Anti slip particles
- High UV Stability
- Infinite color option




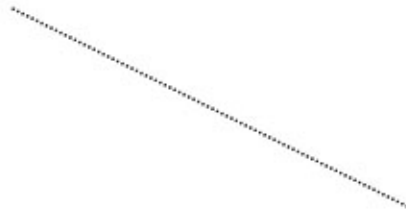

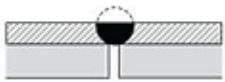

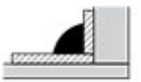



- **PVC Middle Layer /**

- **Textile Backing**

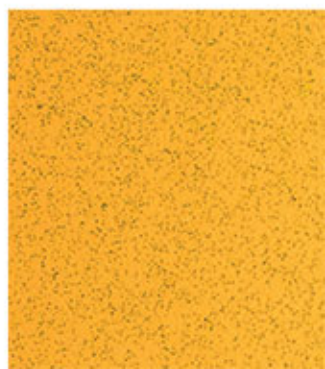
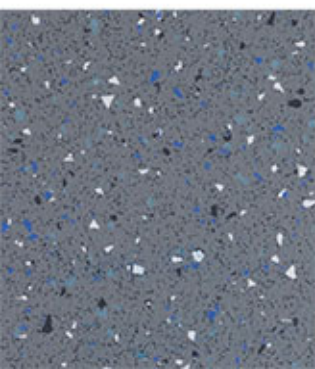
- Two different options
- High adhesion performance

- We provide your rolls up to 2000mm width that combines the capability on any special dimensions. This will save your work expenses and time.
- The length of the rolls can be suitable on your demand. It will ensure ease of use and minimize your wastages.
- We manufacture the thickness from 1,80mm up to 3,00mm. Thus, you can get your best products with the cost effective.

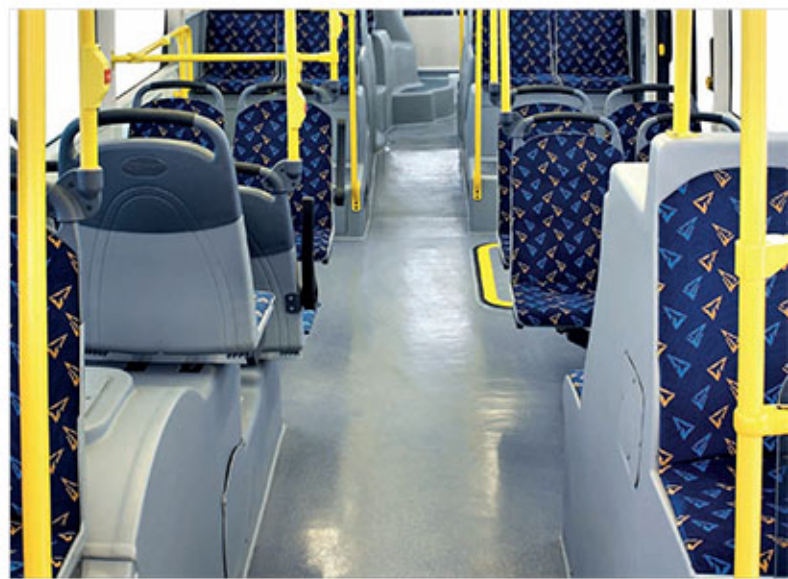
WELDING CORDS

GRO	GRT	GRY
		
		
 Ø 4.00 mm - 5.00 mm	 7.00 mm 4.00 mm	 11.00 mm 4.00 mm
250 mt / Bobbin	200 mt / Bobbin	250 mt / Bobbin

- We manufacture three types of cords for your area of usage that ensure the best result for the correct form.
- Cords with the range variety of colors synthesize the same color of your floor coverings as well.
- We also guide you about the welding process and supply a welding machine if needed.



DESCRIPTION		PVC Based Linoleum Floor Covering
Design		Optional (Various Design)
Roll Dimensions	TS EN ISO 24341	Applicable as client request (width upto 200cms)
Thickness	TS EN ISO 24346 : 2012	2.50 ±0.7 mm Applicable as clients request.
Weight	TS EN ISO 23997 : 2012	2.50mm ±0.5 m ² /kg 3 ±0.03kg
Dimensional Change (-20°C / +40°C)	DIN 53497	No Change
Behaviour against Cold (H:70cm : 24h -400C)	DBL 5306/2/7.3	Pass. No cracking
Determination of abrasion resistance	DIN EN ISO 5470-1	0.003
Odor Testing	VDA 270 C3	2.5
Hardness Shore (A)	EN ISO 868	80±5
Fire Class	95/28/EC Annex IV FMVSS 302 CMVSS 302 ECE-R 118	Fulfill
Fire Class	95/28/EG:2007 Annex V ECE-R 118.01:2010 Annex 7	Pass
Test methods for determining the fire-resistance of floor coverings.	UIC Codex 564-2 Annex 12	Class A
Resistance to abrasion	DIN 53754 H18	Product with silicon carbide (141mg) Product without silicon carbide (70mg)
Slip resistance	StVZO 35d (4) DIN 51130 (10/2010)	Dryfloor 61±2 (Strong) Wet floor 117±2 (Skidproof) R
Colour fastness	ISO 105-B06	≥ 6
Resisance to chemicals	ASTM F 925-02 (2008)	Good Resistant to suggested reagents (ASTM)
Standard test method for valuating the performance of antimicrobials in or on polymeric solids against staining by the streptovercillium reticulum (A pink stain organism)	ASTM E 1428-9 1	No growth contact area (NGCA)



Be connected!



#Jeoflor



Jeoflor

Our related products!



Floor
Self Leveling



Wall Coverings
& Protections



Skirting &
Profiles



Handrails

Jeoflor

Alptahls GmbH, Bürgergasse 4, 8330 Feldbach, Austria. =

Tel. +43 (0)3152 370 49

info@jeoflor.com www.jeoflor.com

Toll Free : 18002028498